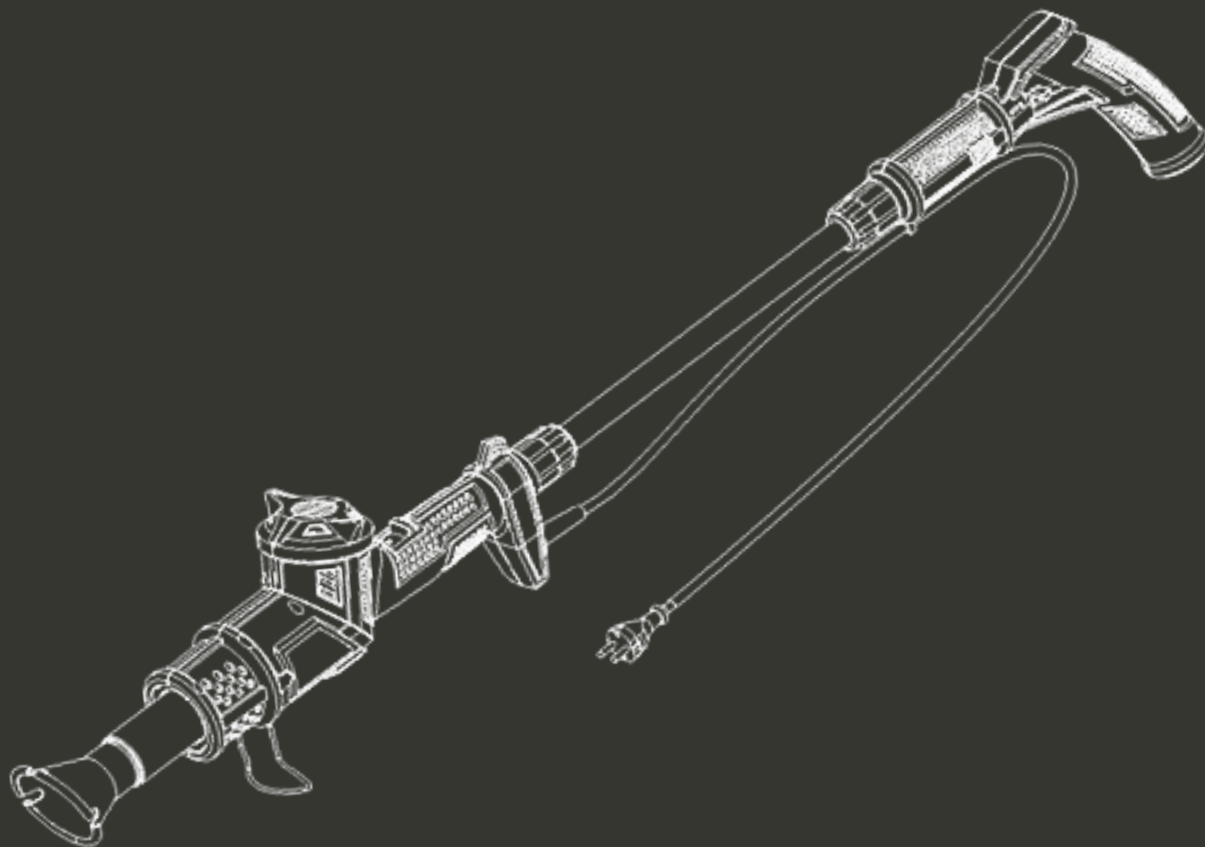


**HYUNDAI**  
POWER PRODUCTS

# **ELECTRIC WEED BURNER**

**HWE3IN1**

**ORIGINAL INSTRUCTIONS**



**WARNING:** Read thoroughly the instruction manual before use

# CONTENTS

1. INTENDED USE.....	3
2. SAFETY INSTRUCTIONS.....	3
3. THE PRODUCT.....	8
4. OPERATION.....	9
5. CLEANING .....	12
6. DISPOSAL.....	12
7. DECLARATION OF CONFORMITY.....	12
8. WARRANTY.....	13
9. PRODUCT FAILURE.....	14
10. WARRANTY EXCLUSIONS.....	15

## 1. INTENDED USE

The appliance is intended to be used to remove weeds from paving, flowerbeds and lawns during the growing season, and to light grills, it also can be used as a hot air gun.

- Do not use the appliance for any other purpose than the one it is designed for.
- The appliance must only be used as it is intended to be used and in accordance with these instructions. All other use is considered to be unsuitable.
- Incorrect use, inadequate maintenance and/or unauthorized use of the appliance can result in serious personal injury and/ or material damage.
- The manufacturer cannot accept liability for personal injury or material damage resulting from improper use.

## 2. SAFETY INSTRUCTIONS

### 2.1 GENERAL SAFETY WARNINGS

Read all warnings, safety instructions and other directives carefully before use. Failure to follow all the instructions and safety instructions can result in the risk of electric shock, fire and/or serious personal injury.

This appliance can be used by children aged from 8 years and above and persons with reduced physical, sensory or mental capabilities or lack of experience and knowledge if they have been given supervision or instruction concerning use of the appliance in a safe way and understand the hazards involved. Children shall not play with the appliance. Cleaning and user maintenance shall not be made by children without supervision.

If the supply cord is damaged, it must be replaced by the manufacturer, its service agent or similarly qualified persons in order to avoid a hazard.

A fire may result if the appliance is not used with care, therefore:

- be careful when using the appliance in places where there are combustible materials;
- do not apply to the same place for a long time;
- do not use in presence of an explosive atmosphere;
- be aware that heat may be conducted to combustible materials that are out of sight;
- place the appliance on its stand after use and allow it to cool down before storage (if provided);
- do not leave the appliance unattended when it is switched on.

Ensure that the tool is properly positioned;

Unplug the tool before removal from the fire;

Allow the tool to cool before storage;

Do not allow the hot parts of the firelighter to touch the cord or other flammable materials.

Do not expose power tools to rain or wet conditions. Water entering a power tool will increase the risk of electric shock.

Do not abuse the cord. Never use the cord for carrying, pulling or unplugging the power tool. Keep cord away from heat, oil, sharp edges or moving parts. Damaged or entangled cords increase the risk of electric shock.

If operating a power tool in a damp location is unavoidable, use a residual current device (RCD)

protected supply. Use an RCD reduces the risk of electric shock.

Do not use the power tool if the switch does not turn it on and off. Any power tool that cannot be controlled with the switch is dangerous and must be repaired.

Have your power tool serviced by a qualified repair person using only original replacement parts. This will be ensuring that the safety of the power tool is maintained.

## **2.2 SAFETY INSTRUCTIONS FOR THE HOT AIR BLOWER**

- Careless use of the appliance can cause a fire.
- Take care when using the appliance in the vicinity of inflammable materials.
- Do not aim at the same place for a prolonged period of time.
- Do not use in the presence of an explosive atmosphere.
- Heat can be transferred to combustible materials which are hidden from view.
- Replace on stand after use and allow to cool before putting it away.
- Do not leave the appliance unattended while it is in operation.

## **2.3 SAFETY INFORMATION FOR SOLID FUEL LIGHTERS**

- Check that the solid fuel lighter is in the correct position.
- Disconnect from mains before removing from fire.

- Allow solid fuel lighter to cool down before packing away.
- The power cable or other flammable materials may not come into contact with hot components of the solid fuel lighter.

## 2.4 SAFETY INFORMATION FOR WEED BURNER

- Do not hold the nozzle too close to the work area. If the air gets too hot this can damage the weed burner.
- Careless use of the weed burner can cause a fire.
- Always check the plants that have been treated once more after use. The treatment can result in smoldering, which in time can burst into flame and burn out of control.
- Pay special attention if the weed burner is used in the vicinity of flammable materials, liquids, gases or dust.
- Do not point the jet of hot air at the same spot for a long time.
- Do not use the weed burner in explosive environments.
- Heat can be transferred to flammable materials that are not visible.

## 2.5 ADDITIONAL SAFETY INSTRUCTIONS

**CAUTION! Avoid the risk of injury or fire as well as health risks:**

In case of danger, remove the plug from the socket immediately.

**CAUTION! RISK OF INJURY!**

Never use the appliance as a hair dryer.

Never aim the hot air stream at people or animals.  
Never look directly into the nozzle opening at the outlet.

## **CAUTION! RISK OF BURNS!**

Do not touch the hot nozzle.

Wear protective gloves.

Wear safety goggles.

Always remove the plug from the power socket during work breaks, when adjusting the appliance (e.g. changing nozzles) and when it is no longer in use.





Allow it to cool completely before replacing the nozzle.

Keep the nozzle at a distance from the work the work piece or the area being processed. A build-up of hot air can result in damaged to the appliance.

The appliance must always be kept clean, dry and free from oil or grease.

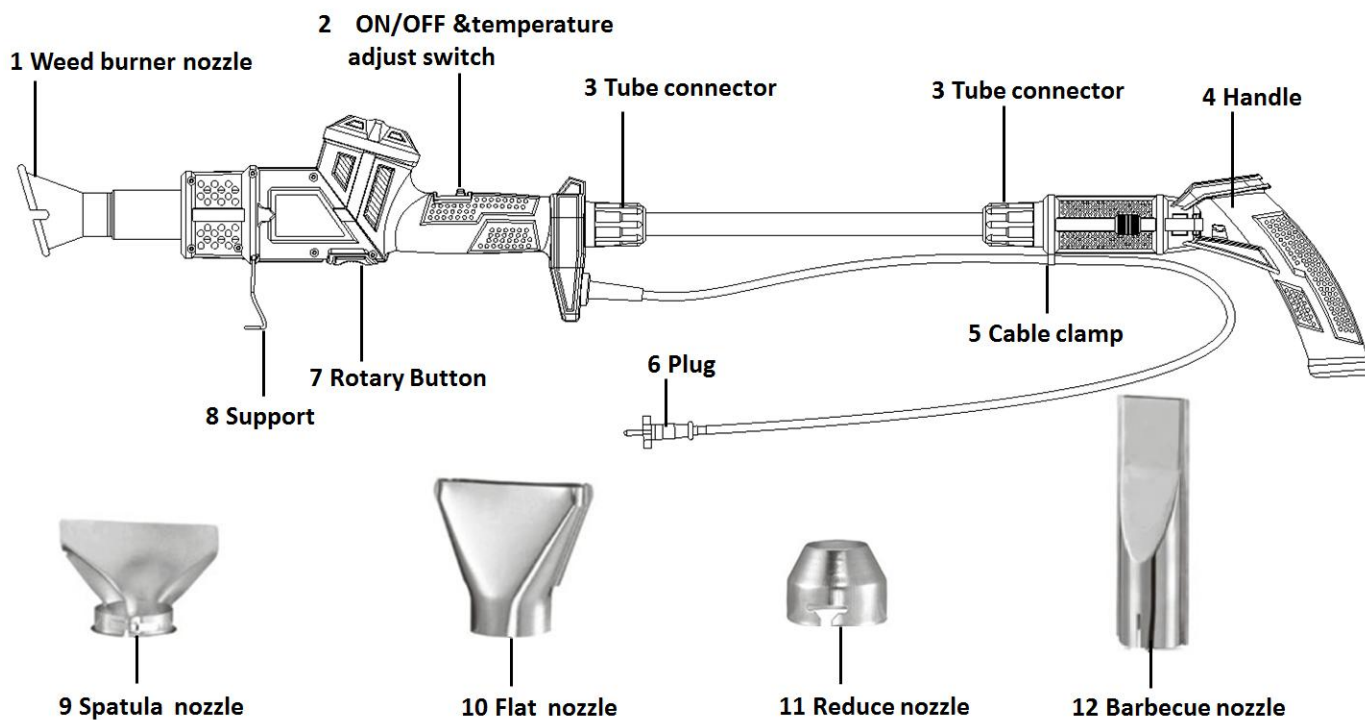
Never use the appliance for purposed other than the ones for which it was designed.

### 2.3 SYMBOLS

	Conforms to relevant safety standards
	To reduce the risk of injury, the user must read and understand this manual before using this product.
	Class II product.
	Do not dispose of old appliances with domestic rubbish

# 3. THE PRODUCT

## 3.1 DESCRIPTION



- 1. Weed burner nozzle
- 2. ON/OFF & temperature adjust switch
- 3. Tube connector
- 4. Handle
- 5. Cable clamp
- 6. Plug
- 7. Rotary button
- 8. Support
- 9. Spatula nozzle
- 10. Flat nozzle
- 11. Reducer nozzle
- 12. Grill lighter nozzle

## 3.2 PACKAGE CONTENTS

- 1 3in1 multi - function weed burner
- 1 Tube
- 1 Handle
- 1 Support
- 1 Spade-shaped nozzle
- 1 Flat nozzle
- 1 Reducer nozzle
- 1 Grill lighter nozzle
- 1 Manual

## 3.3 TECHNICAL DATA

Model	HWE3IN1
Voltage	220-240V~
Mains frequency	50-60Hz
Power	2000W
Air temperature	I: 80°C II: 650 °C
Air stream	550 l/min



## 4. OPERATION

**CAUTION!** Do not cover the ventilation slots during use.

**CAUTION! RISK OF BURNS!** Do not touch the hot nozzle.

### Switching the appliance on:

Make a loop on the extension cord, push it through the strain relief on the handle and hook it onto the hook.

Connect the appliance to a suitable power point with the extension cord.

Start the appliance by pressing the main ON/OFF switch(2) into "II" position. Full working temperature is reached after about 1 minute

### Switching the appliance off:

Move the main ON/OFF switch (2) into "O" position.

Unplug the plug from the power point after use.

Place the appliance with the stand on a level, non-flammable surface, and allow all the hot parts to cool.

### Setting temperature:

You can set temperature by moving the temperature adjust switch (2) into "I"\'II' position.

Depending on the application, you can select the most suitable temperature (nozzle outlet):

Level I: approx. 80°C

Level II: approx. 650°C

### Turn the working head

The working head is rotary. You can press the rotary button (7) and turn it.

## 4.1 USE AS A HOT AIR GUN

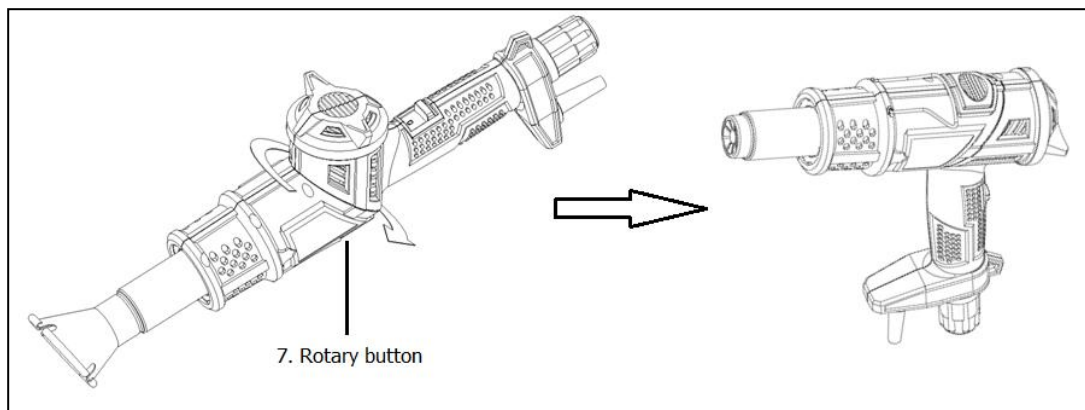
### WARNING!

► Before changing the nozzle, you must ensure that the nozzle has cooled to avoid burns.

► Excessive heat can ignite paints and plastics.

**CAUTION!** ► Do not inhale any vapour.

Choose the most suitable hot air gun working angle by press the rotary button (7).



Using nozzles (9), (10), (11) for different purpose.



9 Spatula nozzle



10 Flat nozzle



11 Reduce nozzle

Spatula nozzle (9) – removing paints or varnish:

- ◆ Attach the spatula nozzle(9)to the outlet .
- ◆ The spatula shape of the nozzle is designed for targeted hot air delivery. Use it together with a separate spatula to remove paint and coatings.

Flat nozzle (10) – separating glued joints, softening paints:

- ◆ Attach the flat nozzle(10) to the outlet .
- ◆ Avoid prolonged exposure to heat as burnt paint can be very difficult to remove. Many adhesives can be softened with heat. The glued joints can be separated and excess glue removed.

Reducer nozzle (11) – welding plastics:

- ◆ Attach the reducer nozzle to the outlet .
- ◆ Use the reducer nozzle with heat-shrinkable tubing and films.

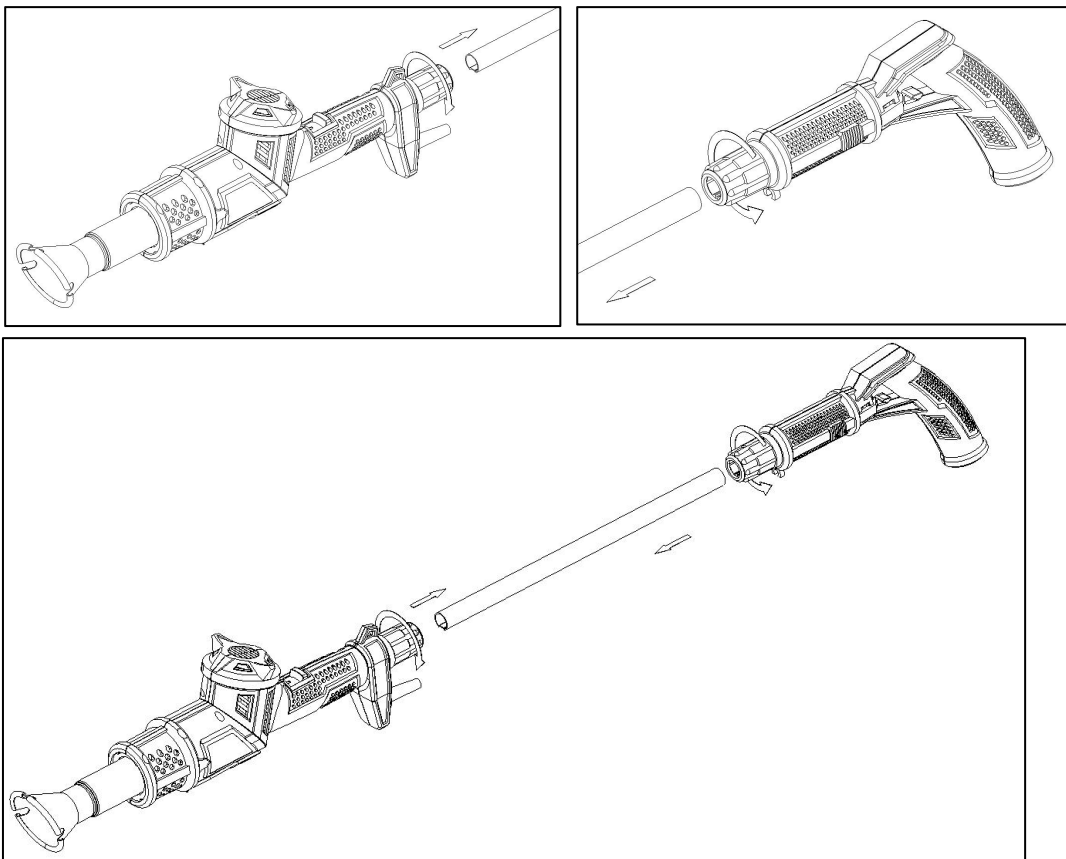
## 4.2 USE AS A WEED BURNER

### WARNING!

- ▶ Before changing the nozzle, you must ensure that the nozzle has cooled to avoid burns.
- ▶ Excessive heat can ignite paints and plastics.

**CAUTION!** ▶ Do not inhale any vapour.

Assemble the extension tube for weed burner function.



- The removal of weeds has the best effect early on during the growing phase.
- The best time for treatment is during the spring.
- The treatment has most effect on young plants. It may not be immediately obvious that the treatment has been effective. The visible part of the plant can burn up during long exposure.
- Plants do not react immediately to the radiation of heat during the recommended treatment time.
- As a rule young plants with soft leaves are most sensitive and do not survive after the treatment.

- Older plants with hard leaves, such as thistles, must be treated several times at 1–2 week intervals to dry out.
- Evergreen grass species are very hardy and require longer treatment.
- Overgrown areas must be treated several times at short intervals to achieve long-term results. Afterwards the treatment can be carried out at longer intervals.
- It is not necessary to burn away the plants completely. The heat treatment causes the leaf cells to dry out and weed dies.
- Some types of weeds can need to be treated repeatedly.

### Conical nozzle

To treat weeds, point the conical nozzle at the plant to be treated for 5–10 s, depending on the type of plant. For larger plants, treat the top part of the plant briefly and then point the conical nozzle at the dried up plant for 5–10s.

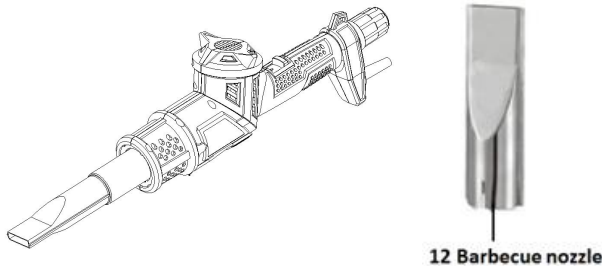
## 4.3 USE AS A BBQ LIGHTER

### WARNING!

- ▶ Before changing the nozzle, you must ensure that the nozzle has cooled to avoid burns.
- ▶ Excessive heat can ignite paints and plastics.

CAUTION! ▶ Do not inhale any vapour.

Using nozzles (12) for BBQ lighter.



## 4.4 ADDITIONAL USAGE EXAMPLES FOR HOUSE, CAR AND GARDEN

### Defrosting water pipes:

Note! Do not use on PVC piping. Note! Water and gas pipes are often indistinguishable from the outside. If in doubt, always ask a professional.

Note! Copper pipes are soldered and may not be heated to above 200°C.

Releasing screwed joint:

- ◆ Heat screwed joints carefully with hot air and the screws can then usually be removed easily.

### Lighting charcoal:

#### WARNING!

- ▶ Do not use any lighter fluid.
- ◆ Attach the barbecue nozzle to the outlet .
- ◆ Ignite charcoal in just a few minutes.

### De-waxing:

- ◆ Use the product, with suitable caution, to remove residual wax from skis/snowboards or candle holders.

## 5. CLEANING

**WARNING! RISK OF INJURY!** Always pull the plug out of the socket and let the appliance cool down before you carry out any work on the appliance.

- Keep the air inlet and the outlet clean.
- Use a cloth to clean the housing. Never use petrol, solvents or cleaning agents that can damage plastic.

## 6. DISPOSAL



Electrical products should not be discarded with household products. According to the European Directive 2012/19/EU on waste electrical and electronic equipment and its implementation into national law, electrical products used must be collected separately and disposed of at collection points provided for this purpose. Talk with your local authorities or dealer for advice on recycling.

## 7. DECLARATION OF CONFORMITY



**BUILDER SAS**

ZI, 32 rue Aristide Bergès – 31270 Cugnaux – France  
Tel : +33 (0)5.34.502.502 Fax : +33 (0)5.34.502.503

declares that the machines:  
ELECTRIC WEED BURNER  
HWE3IN1

Serial No.: 20210867376-20210867875

is in conformity with the essential requirements and other relevant provisions of the applicable European Directives, based on the application of European harmonized standards. Any unauthorized modification of the apparatus voids this declaration.

European Directives (including, if applicable, their amendments up to the date of signature);

Rohs Directive (EU)2015/863 amending 2011/65/EU

LVD Directive 2014/35/EU

EMC Directive 2014/30/EU

European harmonized standards (including, if applicable, their amendments up to the date of signature);

EN60335-1 : 2012+A11:2014+AC:2014+A13:2017+A1:2019+A14:2019+A2:2019

EN60335-2-45 : 2002+A1:2008+A2:2012

EN 62233: 2008

EN55014-1 : 2017

EN55014-2 : 2015

EN61000-3-2 : 2014

EN61000-3-3 : 2013

Cugnaux, 23/11/2021

Philippe MARIE / PDG

## 8. WARRANTY

# HYUNDAI

## WARRANTY

The manufacturer guarantees the product against defects in material and workmanship for a period of 2 years from the date of the original purchase. The warranty only applies if the product is for household use. The warranty does not cover breakdowns due to normal wear and tear.

The manufacturer agrees to replace parts identified as defective by the designated distributor. The manufacturer does not accept responsibility for the replacement of the machine, in whole or in part, and/or ensuing damage.

### The warranty does not cover breakdowns due to:

- insufficient maintenance.
- abnormal assembly, adjustment or operations of the product.
- parts subject to normal wear and tear.

### The warranty does not extend to:

- shipping and packaging costs.
- using the tool for a purpose other than that for which it was designed.
- the use and maintenance of the machine done in a manner not described in the user manual.

Due to our policy of continuous product improvement, we reserve the right to alter or change specifications without notice. Consequently, the product may be different from the information contained therein, but a modification will be undertaken without notice if it is recognized as an improvement of the preceding characteristic.

### READ THE MANUAL CAREFULLY BEFORE USING THE MACHINE.

When ordering spare parts, please indicate the part number or code, you can find this in the spare parts list in this manual. Keep the purchase receipt; without it, the warranty is invalid. To help you with your product, we invite you to contact us by phone or via our website:

- **+33 (0)9.70.75.30.30**
- **<https://services.swap-europe.com/contact>**

You must create a "ticket" via the web platform.

- Register or create your account.
- Indicate the reference of the tool.
- Choose the subject of your request.
- Describe your problem.
- Attach these files: invoice or sales receipt, photo of the identification plate (serial number), photo of the part you need (for example: pins on the transformer plug which are broken).



# 9. PRODUCT FAILURE

## WHAT TO DO IF MY MACHINE BREAKS DOWN?

### If you bought your product in a store:

- a) Empty the fuel tank if your product has one.
- b) Make sure that your machine is complete with all accessories supplied, and clean! If this is not the case, the repairer will refuse the machine.

Go to the store with the complete machine and with the receipt or invoice.

### If you bought your product on a website:

- a) Empty the fuel tank if your product has one..
- b) Make sure that your machine is complete with all accessories supplied, and clean! If this is not the case, the repairer will refuse the machine.
- c) Create a SWAP-Europe service ticket on the site: <https://services.swap-europe.com> When making the request on SWAP-Europe, you must attach the invoice and the photo of the nameplate (serial number).
- d) Contact the repair station to make sure it is available before dropping off the machine.

Go to the repair station with the complete machine packed, accompanied by the purchase invoice and the station support sheet downloadable after the service request is completed on the SWAP-Europe site

For machines with engine failure from manufacturers BRIGGS & STRATTON, HONDA and RATO, please refer to the following instructions.

Repairs will be done by approved engine manufacturers of these manufacturers, see their site:

- <http://www.briggsandstratton.com/eu/fr>
- <http://www.honda-engines-eu.com/fr/service-network-page;jsessionid=5EE8456CF39CD572AA2AEEDFD290CDAE>
- <https://www.rato-europe.com/it/service-network>

**Please keep your original packaging to allow for after-sales service returns or pack your machine with a similar cardboard box of the same dimensions.**

**For any question concerning our after-sales service you can make a request on our website <https://services.swap-europe.com>**

**Our hotline remains available at +33 (9) 70 75 30 30.**



# 10. WARRANTY EXCLUSIONS

## THE WARRANTY DOES NOT COVER:

- Start-up and setting up of the product.
- Damage resulting from normal wear and tear of the product.
- Damage resulting from improper use of the product.
- Damage resulting from assembly or start-up not in accordance with the user manual.
- Breakdowns related to carburetion beyond 90 days and fouling of carburetors.
- Periodic and standard maintenance events.
- Actions of modification and dismantling that directly void the warranty.
- Products whose original authentication marking (brand, serial number) has been degraded, altered or withdrawn.
- Replacement of consumables.
- The use of non-original parts.
- Breakage of parts following impacts or projections.
- Accessories breakdowns.
- Defects and their consequences linked to any external cause.
- Loss of components and loss due to insufficient screwing.
- Cutting components and any damage related to the loosening of parts.
- Overload or overheating.
- Poor power supply quality: faulty voltage, voltage error, etc.
- Damages resulting from the deprivation of enjoyment of the product during the time necessary for repairs and more generally the costs related to the immobilization of the product.
- The costs of a second opinion established by a third party following an estimate by a SWAP-Europe repair station
- The use of a product which would show a defect or a breakage which was not the subject of an immediate report and/or repair with the services of SWAP-Europe.
- Deterioration linked to transport and storage\*.
- Launchers beyond 90 days.
- Oil, petrol, grease.
- Damages related to the use of non-compliant fuels or lubricants.

\* In accordance with transport legislation, damage related to transport must be declared to carriers within 48 hours maximum after observation by registered letter with acknowledgement of receipt.

This document is a supplement to your notice, a non-exhaustive list.

**Attention:** all orders must be checked in the presence of the delivery person. In case of refusal by the delivery person, it you must simply refuse the delivery and notify your refusal.

**Reminder:** the reserves do not exclude the notification by registered letter with acknowledgement within 72 hours.

**Information:** Thermal devices must be wintered each season (service available on the SWAP-Europe site). Batteries must be charged before being stored.

# HYUNDAI

POWER PRODUCTS

**For Inquiries, please contact:**

BUILDER SAS  
32, Rue Aristide Bergès Z1 31270 Cugnaux, France  
Tél.: +33(0)5.34.502.502 Fax : +33(0)5.34.502.503  
<http://www.hyundaipower-fr.com/>  
Fabriqué en République Populaire de Chine(PRC)